

Sanipump VX 50

The Sanipump VX 50 is a cast iron submersible pump which can remove black water and rainwater up to a maximum height of 16 m and has a discharge diameter of DN 50. Sanipump VX 50 can be installed in a manhole or a pit and is available as a portable or stationary version. Sanipump VX 50 is compatible with Sanifos 1600/2100/3100 and is available in 12 versions: 8 single-phase (including 4 automatic) and 4 three-phase.



PERFORMANCE

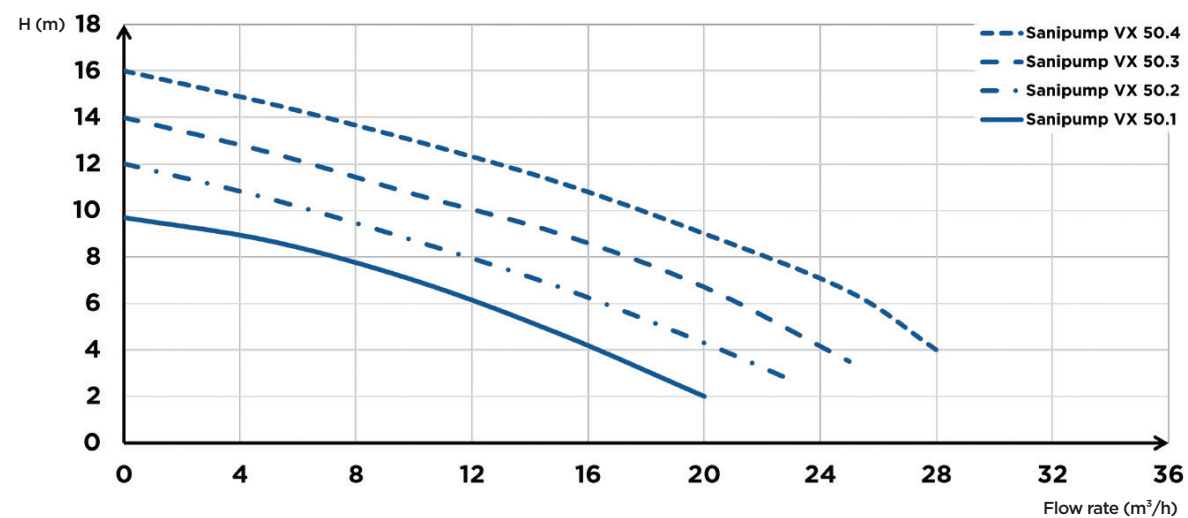
- Total head: 16 m
- Max. flow rate: 29 m³/h

PRODUCT BENEFITS

- Vortex impeller
- DN 50 outlet
- 12 versions, single and three-phase
- S1 mode (if motor fully submersed)
- Available in transportable or stationary version
- Compatible with Sanifos 1600/2100/3100

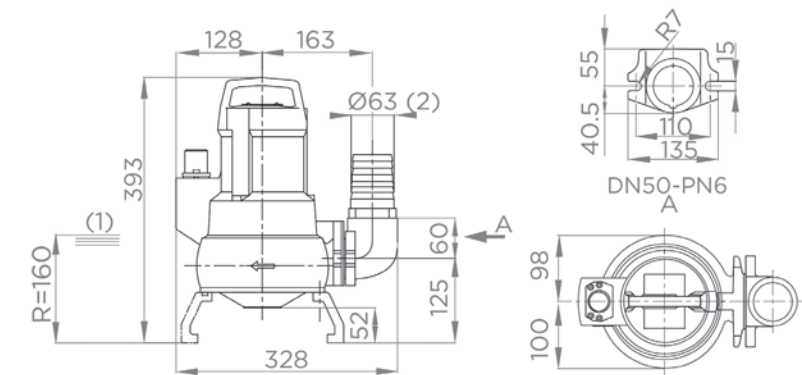


CURVE



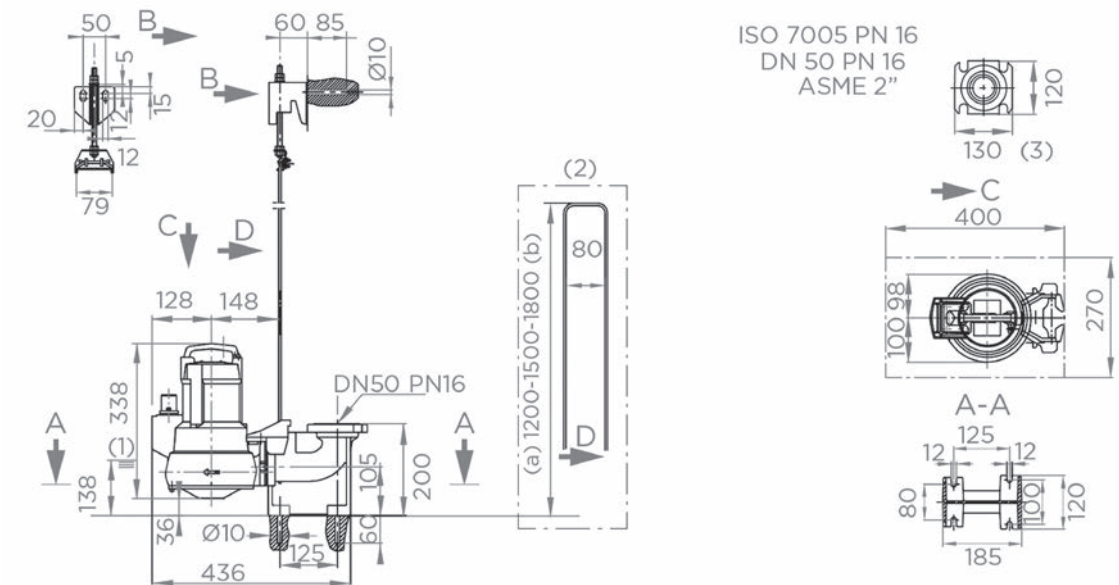
DIMENSIONS

Installation with the transportable kit



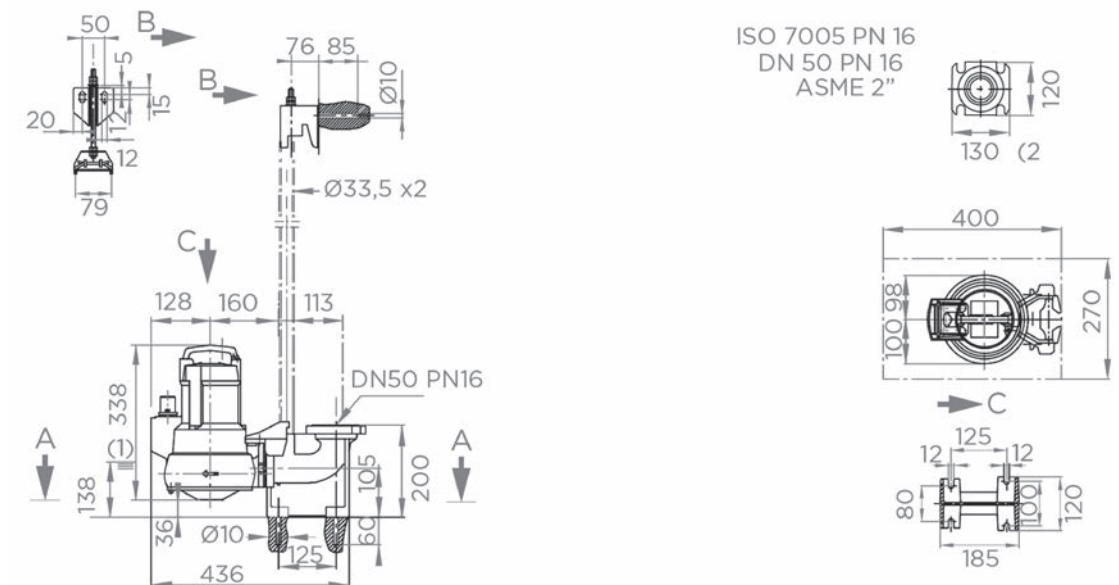
(1) Lowest stopping point (2) Diameter of inner flexible hose: 63mm

Permanent installation with guide bracket, base and elbow DN 50/50



(1) Lowest stopping point (2) Stirrup (3) Elbow flange (a) Minimum (b) Maximum

Permanent installation with guide bar, base and elbow DN 50/50



(1) Lowest stopping point (2) Elbow flange

	Sanipump VX 50.1 S	Sanipump VX 50.1 SA	Sanipump VX 50.1 T	Sanipump VX 50.2 S	Sanipump VX 50.2 SA	Sanipump VX 50.2 T
Material						
Shaft	Stainless steel	Stainless steel	Stainless steel	Stainless steel	Stainless steel	Stainless steel
Pump housing	EN-GJL-250	EN-GJL-250	EN-GJL-250	EN-GJL-250	EN-GJL-250	EN-GJL-250
Sealing on motor side	Shaft seal ring	Shaft seal ring	Shaft seal ring	Shaft seal ring	Shaft seal ring	Shaft seal ring
Fluid sealing	SIC/AI203	SIC/AI203	SIC/AI203	SIC/AI203	SIC/AI203	SIC/AI203
Motor housing	EN-GJL-250	EN-GJL-250	EN-GJL-250	EN-GJL-250	EN-GJL-250	EN-GJL-250
Impeller	EN-GJL-250	EN-GJL-250	EN-GJL-250	EN-GJL-250	EN-GJL-250	EN-GJL-250
Electrical features						
Voltage (V)	230	230	400	230	230	400
Frequency (Hz)	50	50	50	50	50	50
Power consumption P1 (W)	1000	1000	900	1250	1250	1100
Power output P2 (W)	550	550	550	750	750	750
Revolution per minute (RPM)	2800	2800	2800	2800	2800	2800
Electrical class	I	I	I	I	I	I
Motor insulation class	F	F	F	F	F	F
Submerged	S1	S1	S1	S1	S1	S1
Max. number of starts per hour	15	15	15	15	15	15
Immersion depth (m)	10	10	10	10	10	10
Power cable : Length (m)	10	10	10	10	10	10
Power cable : Type of cable, Section	H07 RN8-F, 3x1 mm ²	H07 RN8-F, 3x1 mm ²	H07 RN8-F, 4x1 mm ²	H07 RN8-F, 3x1 mm ²	H07 RN8-F, 3x1 mm ²	H07 RN8-F, 4x1 mm ²
Hydraulics						
Max. head (m)	9	9	9	12	12	12
Max. flow rate (m ³ /h)	20	20	20	23	23	23
Discharge diameter DN	50	50	50	50	50	50
Particle size (mm)	45	45	45	45	45	45
Max. temperature of the pumped liquid (5 min)	40 °C	40 °C	40 °C	40 °C	40 °C	40 °C
Type of impeller	Vortex	Vortex	Vortex	Vortex	Vortex	Vortex
Type of activation	-	Float	-	-	Float	-
Identification and logistics						
Gross weight (kg)	22	23	22	23	23	23
EAN code	3308815090139	3308815090146	3308815090153	3308815090160	3308815090177	3308815090184
Product code	31012	31013	31014	31015	31016	31017

	Sanipump VX 50.3 S	Sanipump VX 50.3 SA	Sanipump VX 50.3 T	Sanipump VX 50.4 S	Sanipump VX 50.4 SA	Sanipump VX 50.4 T
Material						
Shaft	Stainless steel	Stainless steel	Stainless steel	Stainless steel	Stainless steel	Stainless steel
Pump housing	EN-GJL-250	EN-GJL-250	EN-GJL-250	EN-GJL-250	EN-GJL-250	EN-GJL-250
Sealing on motor side	Shaft seal ring	Shaft seal ring	Shaft seal ring	Shaft seal ring	Shaft seal ring	Shaft seal ring
Fluid sealing	SIC/AI203	SIC/AI203	SIC/AI203	SIC/AI203	SIC/AI203	SIC/AI203
Motor housing	EN-GJL-250	EN-GJL-250	EN-GJL-250	EN-GJL-250	EN-GJL-250	EN-GJL-250
Impeller	EN-GJL-250	EN-GJL-250	EN-GJL-250	EN-GJL-250	EN-GJL-250	EN-GJL-250
Electrical features						
Voltage (V)	230	230	400	230	230	400
Frequency (Hz)	50	50	50	50	50	50
Power consumption P1 (W)	1800	1800	1500	1800	1800	2050
Power output P2 (W)	1100	1100	1100	1100	1100	1500
Revolution per minute (RPM)	2800	2800	2800	2800	2800	2800
Electrical class	I	I	I	I	I	I
Motor insulation class	F	F	F	F	F	F
Submerged	S1	S1	S1	S1	S1	S1
Max. number of starts per hour	15	15	15	15	15	15
Immersion depth (m)	10	10	10	10	10	10
Power cable : Length (m)	10	10	10	10	10	10
Power cable : Type of cable, Section	H07 RN8-F, 3x1 mm ²	H07 RN8-F, 3x1 mm ²	H07 RN8-F, 4x1 mm ²	H07 RN8-F, 3x1 mm ²	H07 RN8-F, 3x1 mm ²	H07 RN8-F, 4x1 mm ²
Hydraulics						
Max. head (m)	14	14	14	16	16	16
Max. flow rate (m ³ /h)	25.5	25.5	25.5	29	29	29
Discharge diameter DN	50	50	50	50	50	50
Particle size (mm)	43	43	43	41	41	41
Max. temperature of the pumped liquid (5 min)	40 °C	40 °C	40 °C	40 °C	40 °C	40 °C
Type of impeller	Vortex	Vortex	Vortex	Vortex	Vortex	Vortex
Type of activation	-	Float	-	-	Float	-
Identification and logistics						
Gross weight (kg)	23	23	22	23	23	23
EAN code	3308815090191	3308815090207	3308815090214	3308815090221	3308815090238	3308815090245
Product code	31018	31019	31020	31021	31022	31023

TRANSPORTATION KIT FOR THE SANIPUMP VX 50

Transportation Kit Sanipump VX 50



3308815090320
Product code 21500
 Transportation Kit

SANIPUMP VX 50 BASE GUIDE BAR

Base for Sanipump VX 50 guide bar (Bar not supplied)



3308815090368
Product code 21501
 Base for Single bar (delivered without bar)

SANIPUMP VX 50 STIRRUP GUIDE BASE

Base for Sanipump VX 50 and guide bracket 120 provided for pit of maximum depth 1.5m.

3308815090337
Product code 21502
 Stirrup guide base 120

Base for Sanipump VX 50 and guide bracket 150 provided for pit of maximum depth 1.8m.



3308815090344
Product code 21503
 Stirrup guide base 150

Base for Sanipump VX 50 and guide bracket 180 provided for pit of maximum depth 2.1m.

3308815090351
Product code 21504
 Stirrup guide base 180